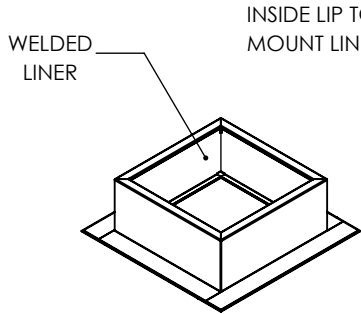
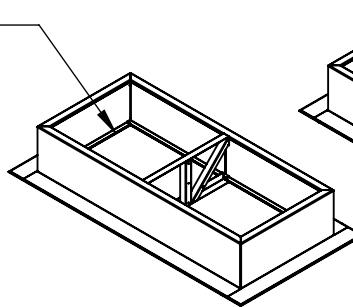


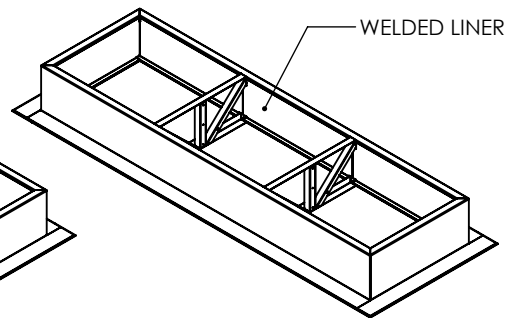
vPLUME HEAVY DUTY CURB FOR PLENUM



1X1 PLENUM CURB



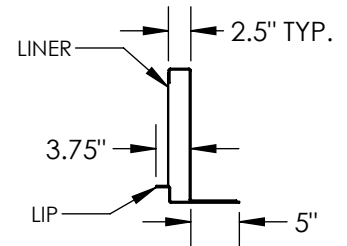
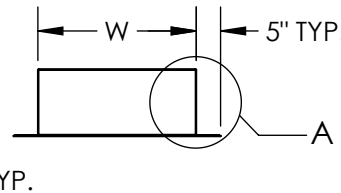
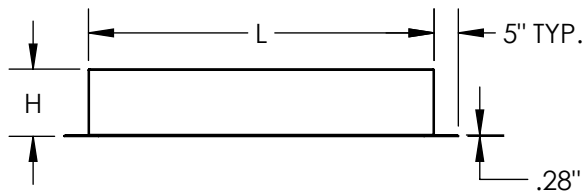
2X1 PLENUM CURB



3X1 PLENUM CURB

- 1.5" RIGID INSULATION
- DOUBLE THICKNESS FLANGE

- GASKET AND MOUNTING HARDWARE PROVIDED
- ONLY SIZES 90-182 ARE MIAMI DADE APPROVED (REFER THE INSTALLATION MANUAL FOR MIAMI DADE CURB MOUNTING WHICH IS AVAILABLE ON PENNBARRY WEBSITE)



**DETAIL A
WALL DETAILS**

DIMENSIONAL DATA

SIZE	W	L (1X1)	L (2X1)	L (3X1)	H	1X1 WEIGHT (LBS.)			2X1 WEIGHT (LBS.)			3X1 WEIGHT (LBS.)		
						H=14	H=18	H=24	H=14	H=18	H=24	H=14	H=18	H=24
90-105	21.00	21.00	48.00	74.50	14, 18, OR 24	134	155	187	227	262	316	317	368	444
122	21.00	21.00	48.00	74.50	14, 18, OR 24	134	155	187	227	262	316	317	368	444
135	23.00	23.00	52.00	80.50	14, 18, OR 24	146	168	202	244	283	341	342	396	476
150	25.00	25.00	56.00	86.50	14, 18, OR 24	151	173	206	252	290	347	352	405	485
165	27.00	27.00	60.00	92.50	14, 18, OR 24	162	186	222	272	313	375	380	439	526
182	33.00	33.00	72.00	110.50	14, 18, OR 24	197	226	270	320	375	448	453	522	625
200	35.00	35.00	75.50	116.50	14, 18, OR 24	209	240	286	349	403	483	488	563	676
222	39.00	39.00	83.50	128.50	14, 18, OR 24	239	275	330	389	450	540	541	626	752
245	45.00	45.00	95.50	146.50	14, 18, OR 24	274	315	378	443	511	613	614	708	844
270	49.00	49.00	103.50	158.50	14, 18, OR 24	297	342	410	486	561	674	672	777	934
300	57.50	57.50	121.50	185.00	14, 18, OR 24	347	399	478	565	651	781	778	897	1077
330	59.50	59.50	125.00	190.50	14, 18, OR 24	365	421	506	585	675	810	804	928	1114
365	62.50	62.50	131.00	199.50	14, 18, OR 24	383	441	530	611	705	846	840	969	1163
402	69.50	69.50	145.00	220.50	14, 18, OR 24	423	488	585	674	777	931	924	1065	1277

ALL DIMENSIONS ARE IN INCHES

REVISION:

FORM:

REPLACES: